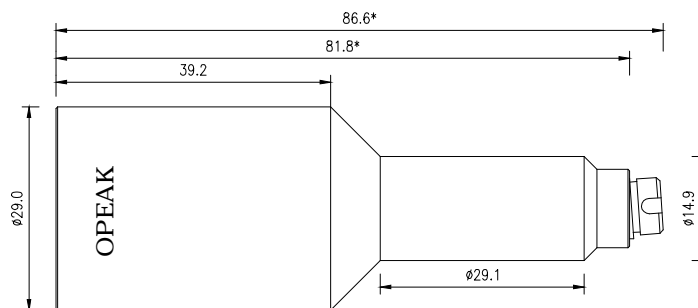


Unit: mm



1. Designed wavelength: 780 nm
2. MFD: 5  $\mu$ m
3.  $1/e^2$  Diameter: 13.8 mm
4. Divergence: 0.065 mrad
5. B type AR coating, reflection ratio less than 0.5%.
6. FC/APC adapter

\*Length tolerance:  $\pm 5$  mm

For information only  
Not for manufacturing  
purpose

LCA-15-B

OPEAK optoelectronics

Mfg. Phase	Weight	scale
------------	--------	-------

--	--	--